

HORN SYSTEM

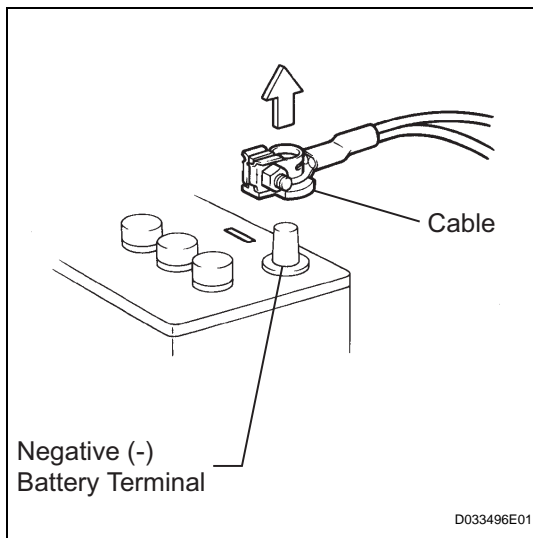
PRECAUTION

1. DISCONNECT AND RECONNECT CABLE OF NEGATIVE BATTERY TERMINAL

NOTICE:

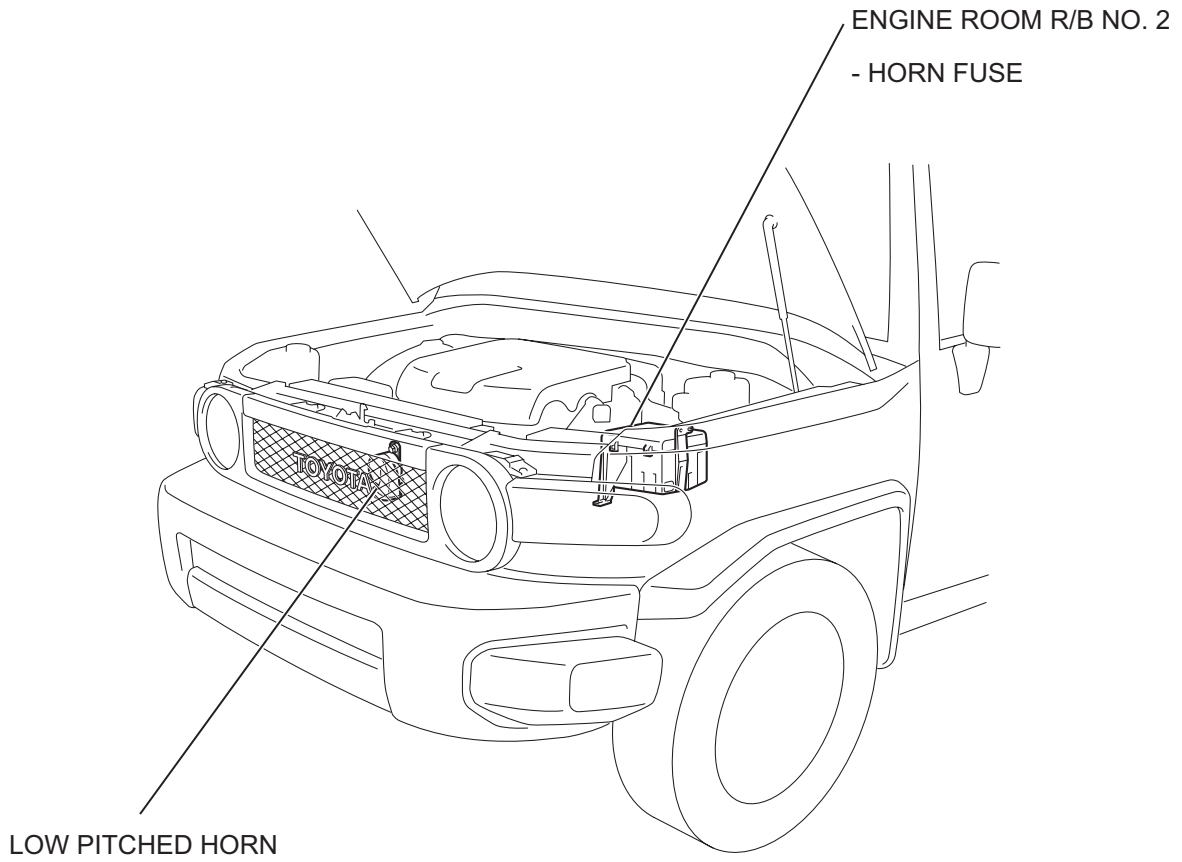
When disconnecting the cable from the negative (-) battery terminal, initialize the following systems after the cable is reconnected.

System Name	See procedure
METER / GAUGE SYSTEM	See page ME-10



- Before performing electronic work, disconnect the cable from the negative (-) battery terminal in order to prevent it from shorting and burning out.
- Before disconnecting and reconnecting the battery cable, turn the ignition switch OFF and the headlight dimmer switch OFF. Then loosen the terminal nut completely. Do not damage the cable or terminal.
- When the battery cable is disconnected, the clock and radio settings and stored DTCs are erased. Therefore, before disconnecting the battery cable, make a notes of them.

PARTS LOCATION

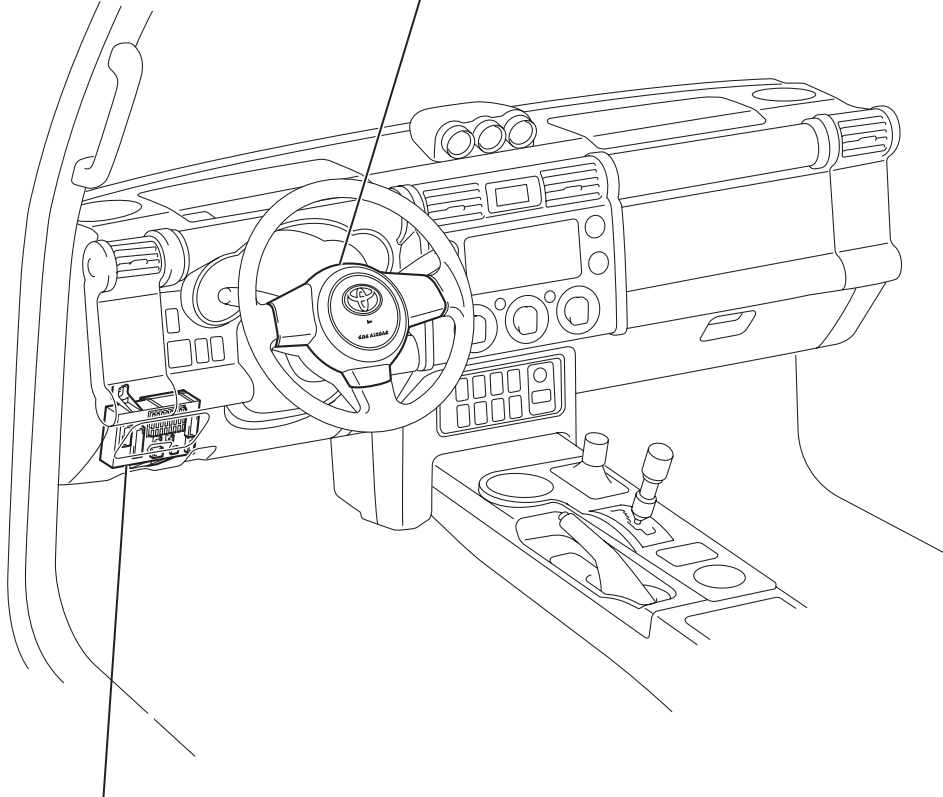


HO

W/O STEERING SWITCH

STEERING PAD

- HORN BUTTON SWITCH



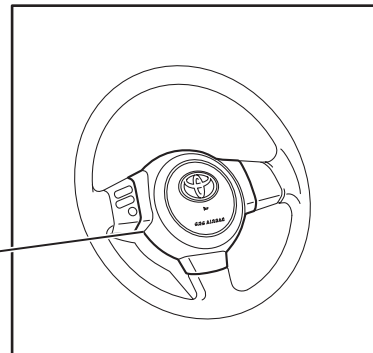
MAIN BODY ECU (DRIVER SIDE J/B)

- HORN RELAY

W/ STEERING SWITCH

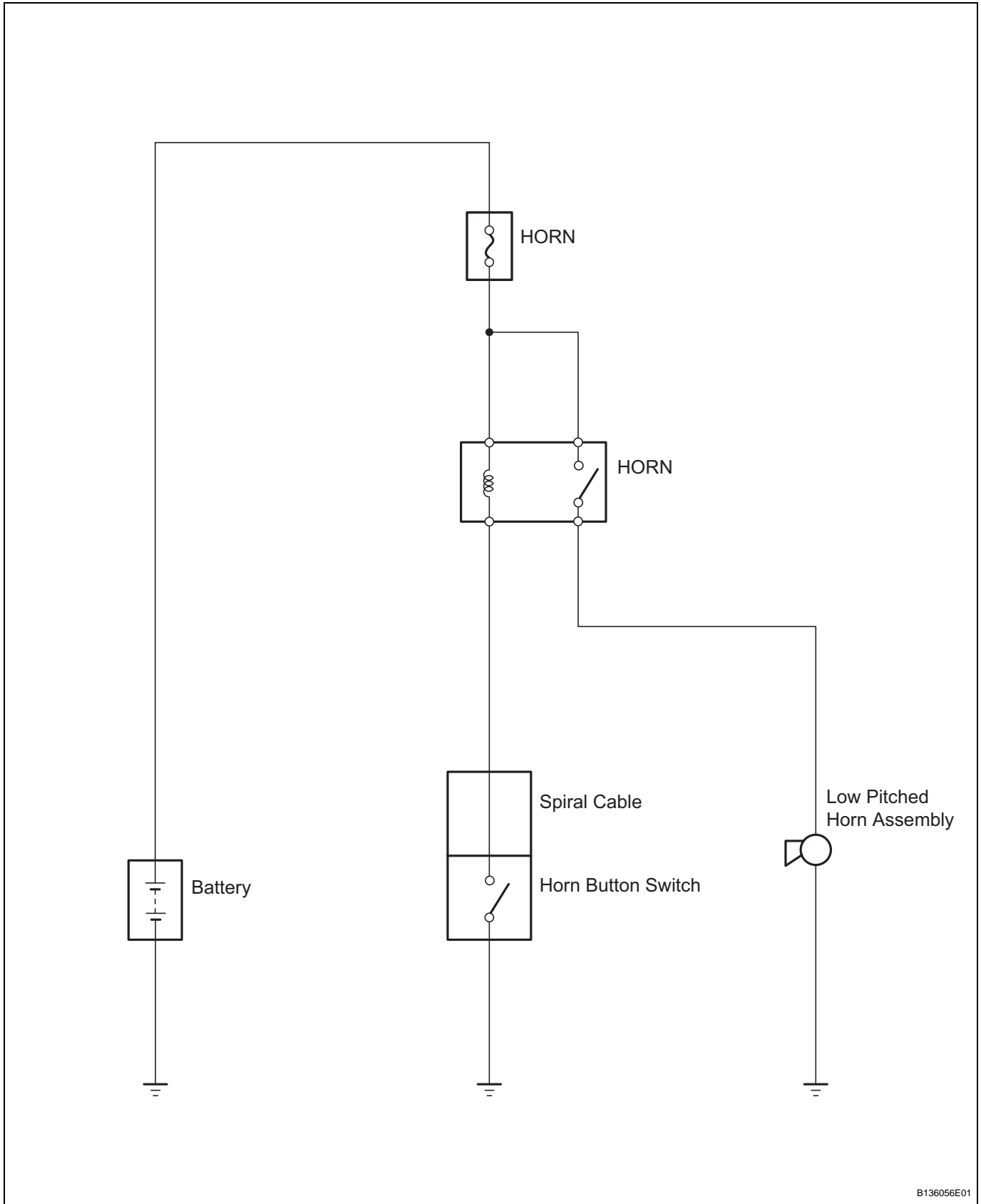
STEERING PAD

- HORN BUTTON SWITCH



HO

SYSTEM DIAGRAM



PROBLEM SYMPTOMS TABLE

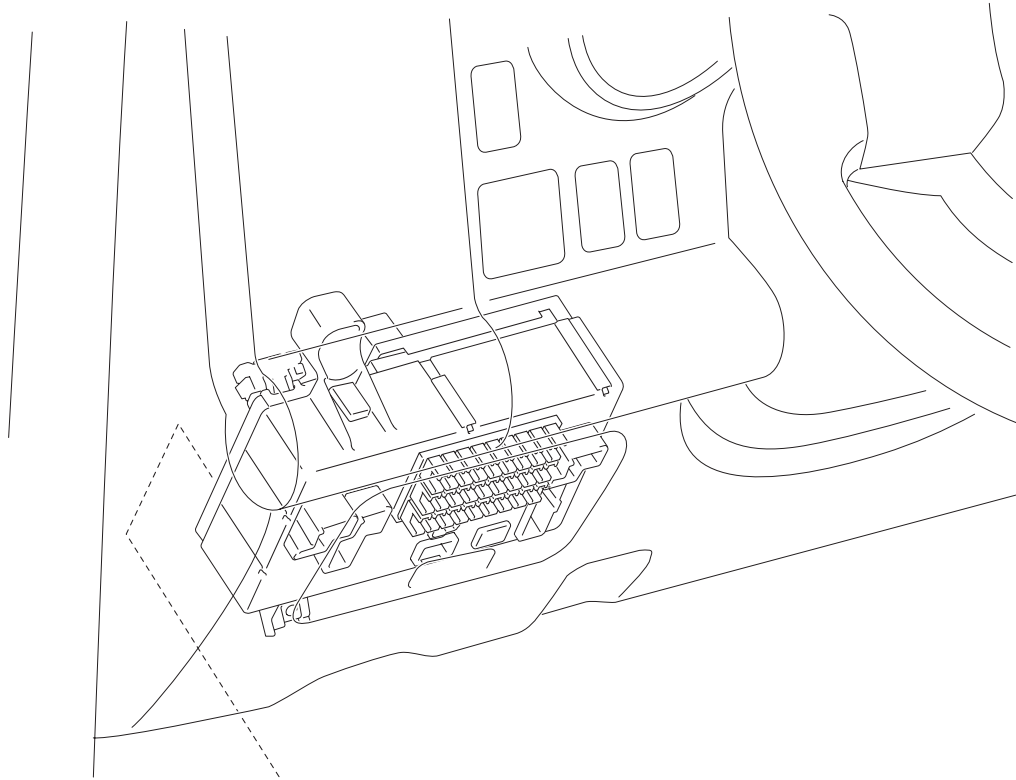
HINT:

Use the table below to help determine the causes of the problem symptom. The potential causes of the symptoms are listed in order of probability in the "Suspected Area" column of the table. Check each symptom by checking the suspected areas in the order they are listed. Replace parts as necessary.

Horn system

Symptom	Suspected area	See page
Horn does not sound	HORN fuse	HO-2
	HORN relay	HO-7
	Low pitched horn assembly	HO-10
	Horn pad (Horn switch)	RS-346
	Wire harness	-

HORN RELAY COMPONENTS

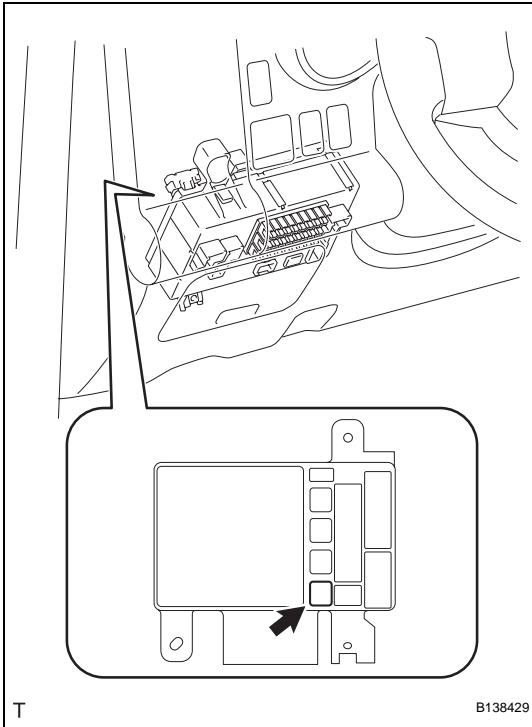


HORN RELAY 

HO

REMOVAL

1. **DISCONNECT CABLE FROM NEGATIVE BATTERY TERMINAL**
2. **REMOVE HORN RELAY**
 - (a) Remove the horn relay.



T

B138429

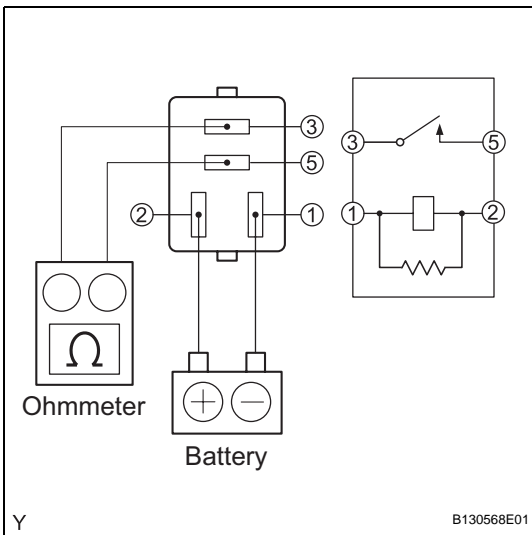
INSPECTION

1. **INSPECT HORN RELAY**
 - (a) Check the resistance.
 - (1) Using an ohmmeter, measure the resistance between the terminals.

Standard resistance

Tester Connection	Specified Condition
3 - 5	10 k Ω or higher
	Below 1 Ω (Battery voltage applied to terminals 1 and 2)

If the result is not as specified, replace the horn relay.

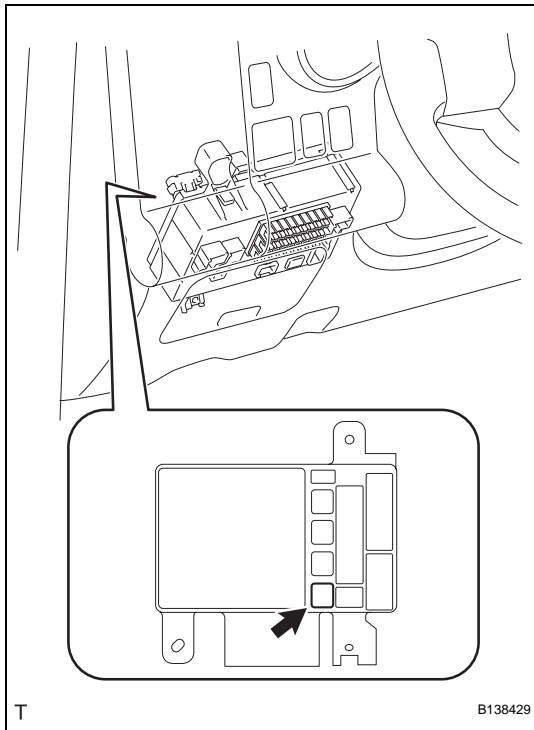


Y

B130568E01

INSTALLATION

1. **INSTALL HORN RELAY**
 - (a) Install the horn relay.
2. **CONNECT CABLE TO NEGATIVE BATTERY TERMINAL**
Torque: 3.9 N*m (40 kgf*cm, 35 in.*lbf)

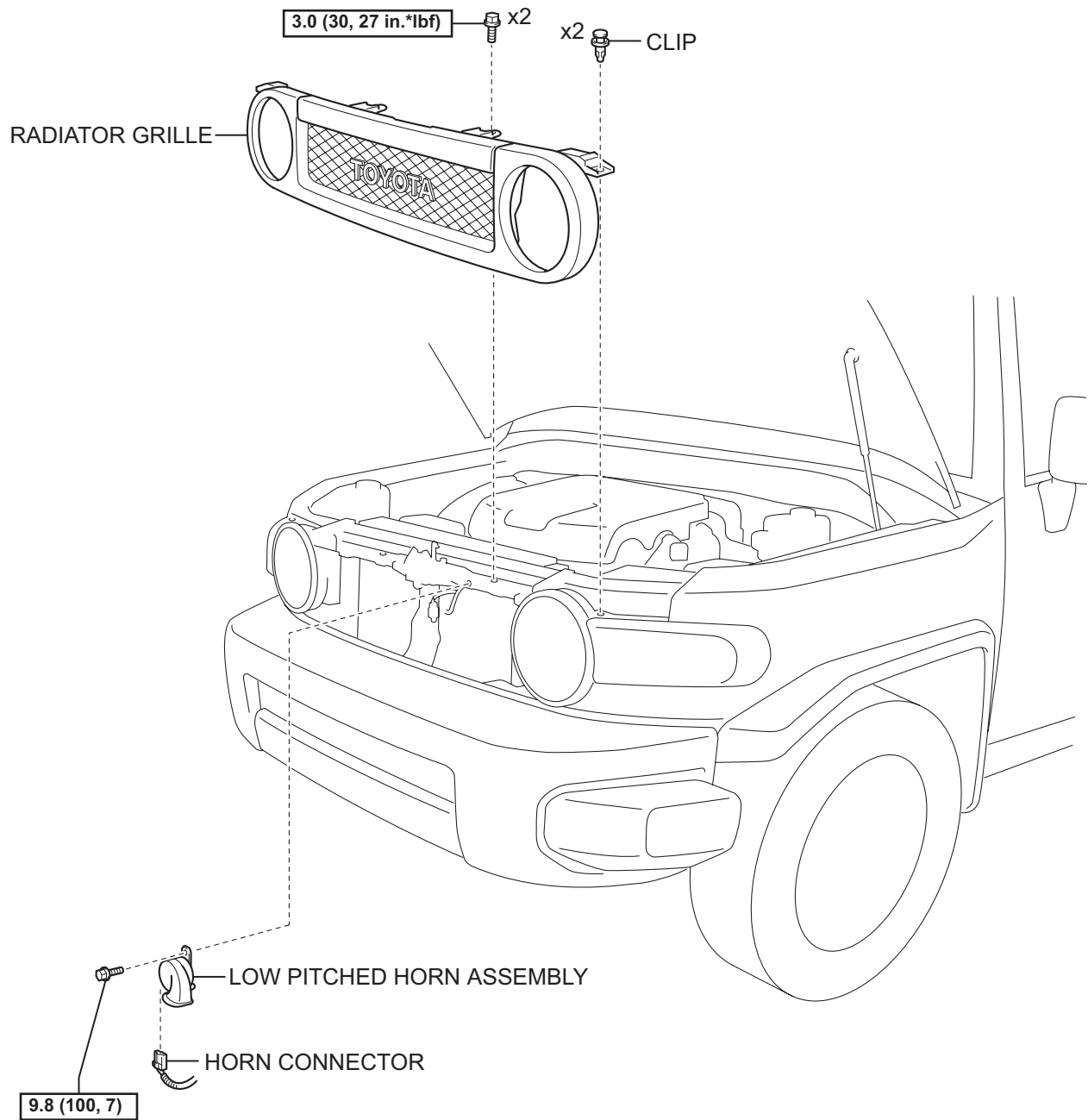


T

B138429

LOW PITCHED HORN

COMPONENTS

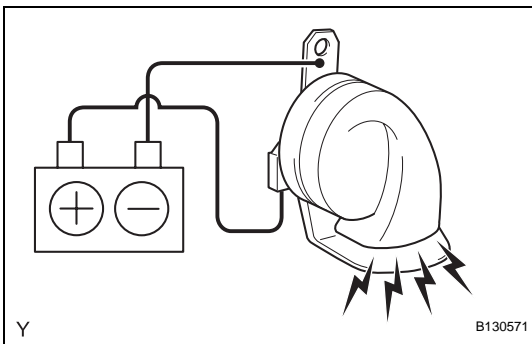
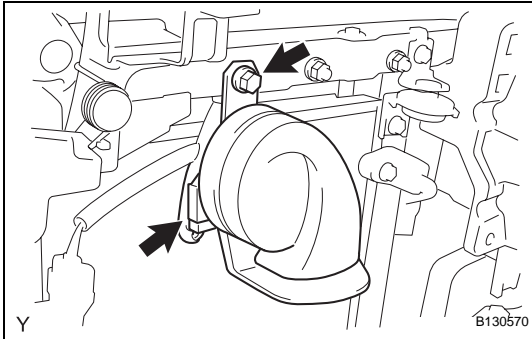


N*m (kgf*cm, ft*lbf) : Specified torque

HO

REMOVAL

1. **DISCONNECT CABLE FROM NEGATIVE BATTERY TERMINAL**
2. **REMOVE RADIATOR GRILLE (See page ET-4)**
3. **REMOVE LOW PITCHED HORN ASSEMBLY**
 - (a) Disconnect the horn connector.
 - (b) Remove the bolt and the low pitched horn.



INSPECTION

1. **INSPECT LOW PITCHED HORN ASSEMBLY**
 - (a) Check the operation.
 - (1) Apply battery voltage to the terminal and bracket, and check that the horn sounds.

Standard

Condition	Standard
Positive battery - Terminal 1 (IG+) Negative battery - Horn bracket	Horn sounds

If the result is not as specified, replace the low pitched horn.

INSTALLATION

1. **INSTALL LOW PITCHED HORN ASSEMBLY**
 - (a) Install the low pitched horn with the bolt.
Torque:
 9.8 N*m (100 kgf*cm, 7 ft.*lbf)
NOTICE:
Do not place the low pitched horn over the stopper of the body.
 - (b) Connect the horn connector.

2. **INSTALL RADIATOR GRILLE (See page ET-11)**
3. **CONNECT CABLE TO NEGATIVE BATTERY TERMINAL**
Torque: 3.9 N*m (40 kgf*cm, 35 in.*lbf)

